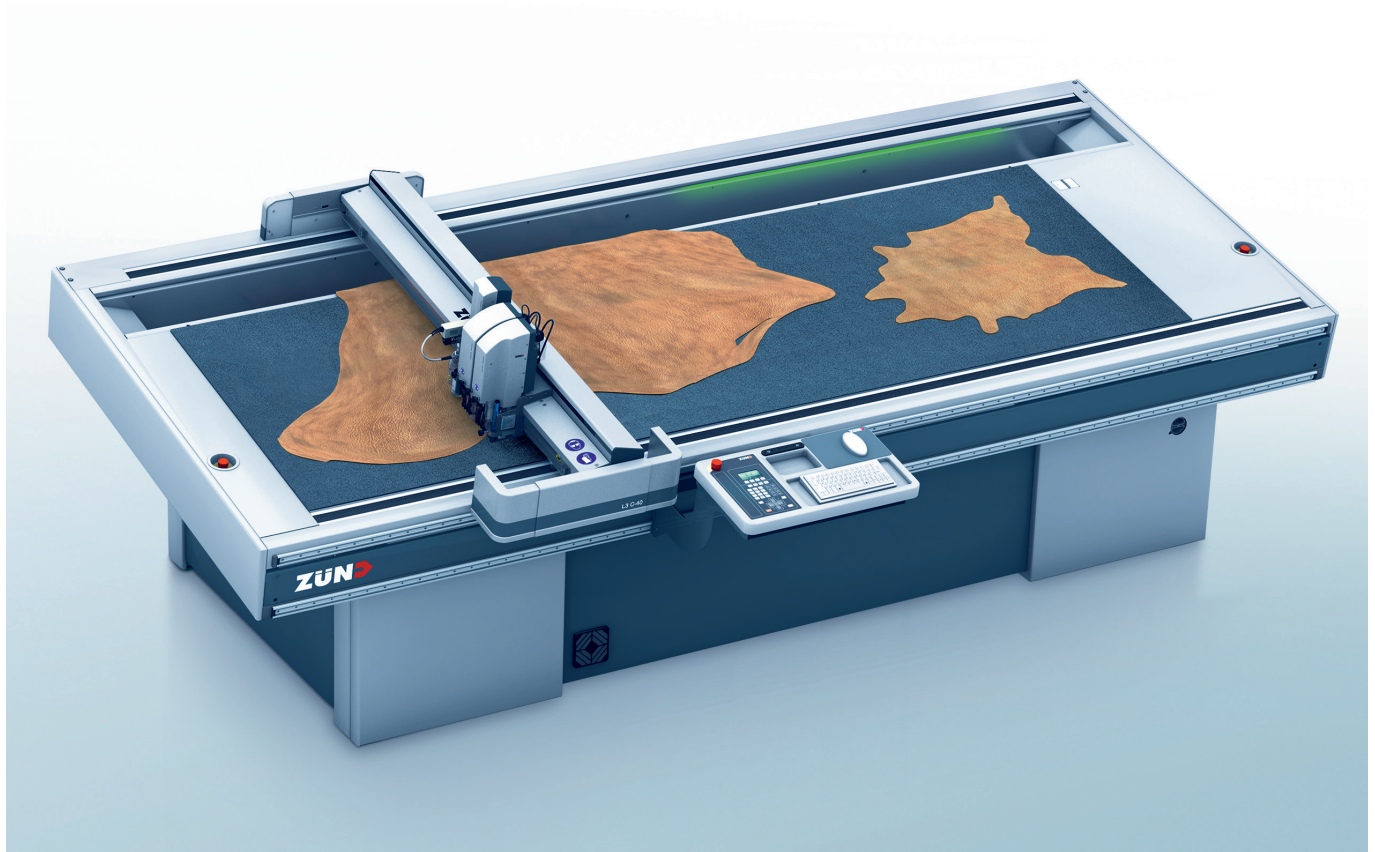


# Technical Data L3

## Base machine

Specifications, speed, acceleration



ZST-01-2019-m&k

### Specifications

floor load requirements	200 kg/m <sup>2</sup> / 45 lbs/ft <sup>2</sup>
interface	RS232C/V24, Ethernet 10/100 Mbit
operating temperature	10-35 °C / 50-95 °F
relative humidity	10-80 % non condensing
noise emission <sup>1)</sup>	< 75 dB(A)
material clearance <sup>2)</sup>	30 mm / 1.1"
electrical requirements	AC 3ph+N+GND, 208/400 V, 50/60 Hz, 32 A
electrical requirements	30 kg/m <sup>2</sup> / 6 lbs/ft <sup>2</sup>

### Speed, acceleration <sup>3)</sup>

max. speed X/Y-axis	1414 mm/s / 55"/s
max. acceleration X/Y-axis	11.03 m/s <sup>2</sup> / 434"/s <sup>2</sup>
max. speed Z-axis	500 mm/s / 20"/s
max. acceleration Z-axis	10 m/s <sup>2</sup> / 393"/s <sup>2</sup>
max. rotation speed T-axis	44.2 rad/s
max. rotation acceleration T-axis	3068 rad/s <sup>2</sup>

1) Noise levels may vary between <75 dB(A) and ~85 dB(A) depending on ambient conditions and type of cutting technology, materials, and vacuum generator being used.

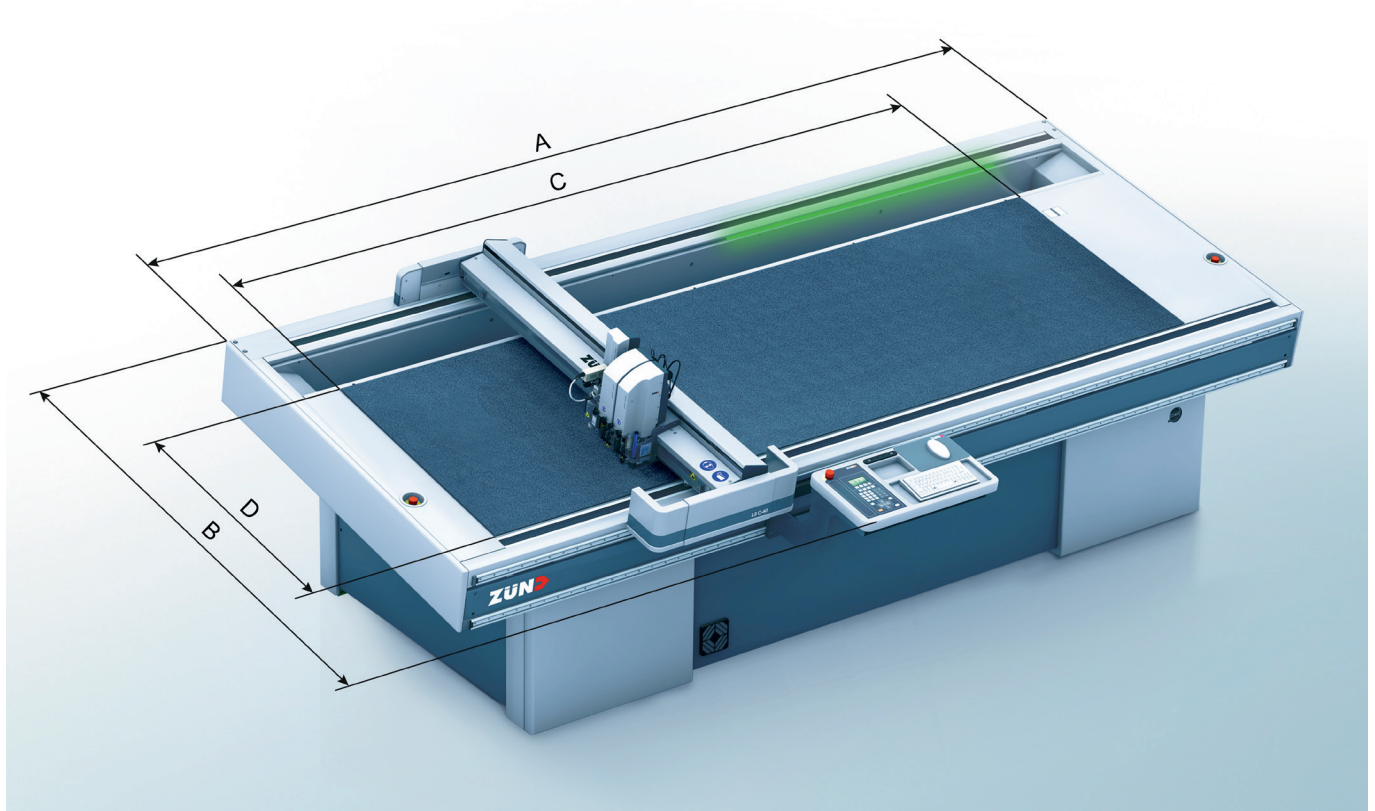
2) Depending on material and/or processing method.

3) X/Y drive system, static, at constant operating temperature (may vary depending on cutting tool/method).

# Technical Data L3

## Base machine

Dimensions, weight

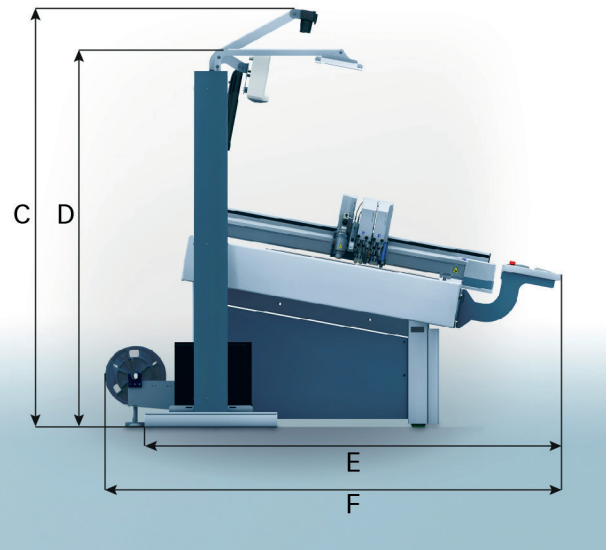
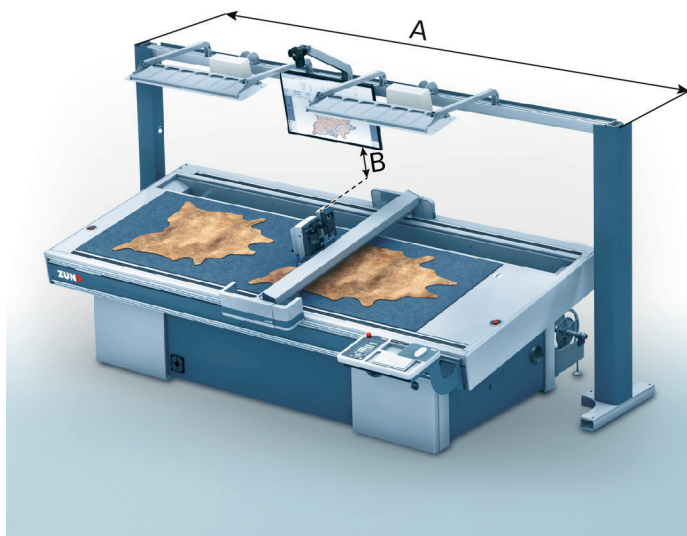


Type	Working area (C x D)	Overall dimensions, incl. control panel (A x B)	Vacuum zones, individually switchable	Weight
C-40	2300 mm x 1000 mm 90" x 40"	3100 mm x 2270 mm 122" x 90"	40 pcs.	790 kg 1742 lbs
C-56	3240 mm x 1000 mm 128" x 40"	4040 mm x 2270 mm 160" x 90"	56 pcs.	980 kg 2160 lbs

# Technical Data L3

## Basemachine with projection system

### Dimensions



Dimensions	C-40	C-56
Width (A)	3715 mm 147"	4655 mm 184"
Min. distance between monitor and modules (B)	120 mm 4.72"	120 mm 4.72"
Height incl. camera (C) <sup>1)</sup>	2610 mm 103"	2530 mm 100"
Height incl. projector (D) <sup>1)</sup>	2565 mm 101"	2260 mm 89"
Length incl. cutter with control panel (E)	2488 mm 98"	2488 mm 98"
Length incl. roll-off unit and cutter with control panel (F)	2729 mm 108"	2729 mm 108"

1) Specifications apply only for devices recommended by Zünd (camera, projector).

Technical data subject to change without notice.